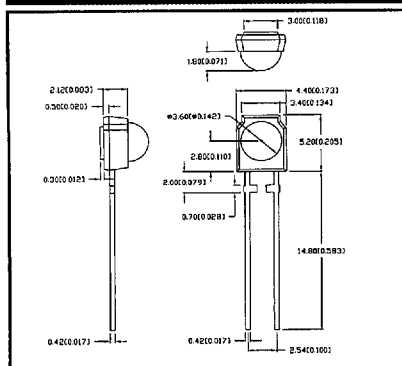


## PIN PHOTO DIODES

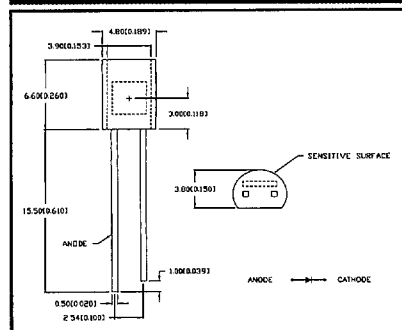
### OED-HPI-6FFR4



| Package Style           | Lens        | Limits of Safe Operation |                         |                       | Voc mV Typ |
|-------------------------|-------------|--------------------------|-------------------------|-----------------------|------------|
|                         |             | V <sub>R</sub> Max (V)   | P <sub>D</sub> Max (mW) | t <sub>opr</sub> (°C) |            |
| Side Looking Lead Frame | Clear Resin | 35                       | 150                     | -30 ~ +70             | 380        |

| Isc $\mu$ A Typ | I <sub>d</sub> nA Max @ V <sub>R</sub> = 10V | $\lambda$ <sub>p</sub> (nm) Typ | $\lambda$ <sub><math>\theta</math></sub> deg | $\lambda$ nM | tr/tf V <sub>R</sub> = 10V R <sub>I</sub> = 1000 $\Omega$ |
|-----------------|--|---------------------------------|--|--------------|---|
| 25.0            | nil.   | 1000                            | $\pm$ 35                                     | 880 ~ 1050   | 50/50 nS  |

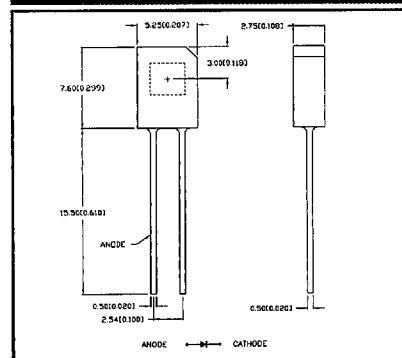
### OED-HPIRC572L140



| Package Style           | Lens        | Limits of Safe Operation |                         |                       | Voc mV Typ |
|-------------------------|-------------|--------------------------|-------------------------|-----------------------|------------|
|                         |             | V <sub>R</sub> Max (V)   | P <sub>D</sub> Max (mW) | t <sub>opr</sub> (°C) |            |
| Side Looking Lead Frame | Black Resin | 30                       | 150                     | -40 ~ +85             | 390        |

| Isc $\mu$ A Typ | I <sub>d</sub> nA Max @ V <sub>R</sub> = 10V | $\lambda$ <sub>p</sub> (nm) Typ | $\lambda$ <sub><math>\theta</math></sub> deg | $\lambda$ nM | tr/tf V <sub>R</sub> = 10V R <sub>I</sub> = 1000 $\Omega$ |
|-----------------|--|---------------------------------|--|--------------|---|
| 50.0            | 30   | 940                             | $\pm$ 70                                     | 700 ~ 1000   | 50/50 nS  |

### OED-HPIR582L140



| Package Style           | Lens        | Limits of Safe Operation |                         |                       | Voc mV Typ |
|-------------------------|-------------|--------------------------|-------------------------|-----------------------|------------|
|                         |             | V <sub>R</sub> Max (V)   | P <sub>D</sub> Max (mW) | t <sub>opr</sub> (°C) |            |
| Side Looking Lead Frame | Black Resin | 30                       | 150                     | -20 ~ +70             | 390        |

| Isc $\mu$ A Typ | I <sub>d</sub> nA Max @ V <sub>R</sub> = 10V | $\lambda$ <sub>p</sub> (nm) Typ | $\lambda$ <sub><math>\theta</math></sub> deg | $\lambda$ nM | tr/tf V <sub>R</sub> = 10V R <sub>I</sub> = 1000 $\Omega$ |
|-----------------|--|---------------------------------|--|--------------|---|
| 50.0            | 30   | 940                             | $\pm$ 70                                     | 700 ~ 1000   | 50/50 nS  |